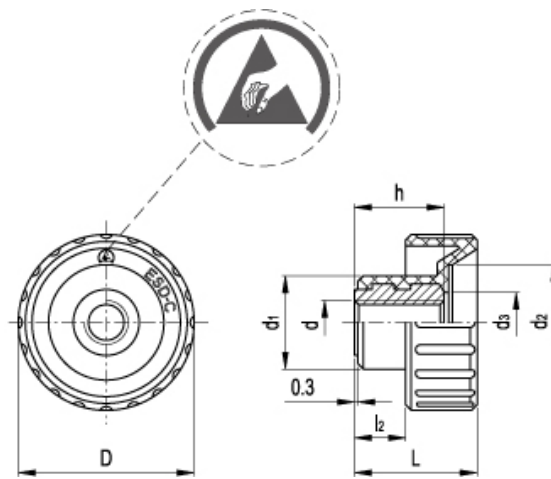


BT.FP-ESD

Fluted grip knobs



ELESA Original design



Elesa Standards		Main dimensions						Mounting hole		Weight
Code	Description	D	L	d ₁	d ₂	d ₃	l ₂	d _{6H}	h	g
154132	BT.16 FP-M5-ESD-C	16	13	11	9	6	5	M5	10	5
154232	BT.20 FP-M6-ESD-C	20	16	11.5	11	7	6	M6	12	7
154332	BT.25 FP-M8-ESD-C	25	19	16	15	9	8	M8	14	11
154432	BT.32 FP-M10-ESD-C	32	22	17	21	11	9	M10	16	13

Material

Polyamide based (PA) special conductive technopolymer. Resistant to solvents, oils, greases and other chemical agents.

Surface resistivity $10^3 \Omega$ (tests carried out according to ASTM D257 standards), volume resistivity $10^3 \Omega$ (tests carried out according to ASTM D257 standards).

Colour

Black, matte finish.

Standard execution

Brass boss, threaded through hole.

Features and applications

The special conductive technopolymer (ESD-C Electrostatic Discharge Conductive) prevents the accumulation of electrostatic charge. BT.FP-ESD knobs are suitable for ESD PROTECTED AREA (EPA) where components which are susceptible to electrostatic discharges are to be handled with the minimum risk of damage. The indelibly printed mark (ESD-C) on the surface of the knob identifies the particular conductive feature according to EN 100015/1 and IEC 61340-5-1.

